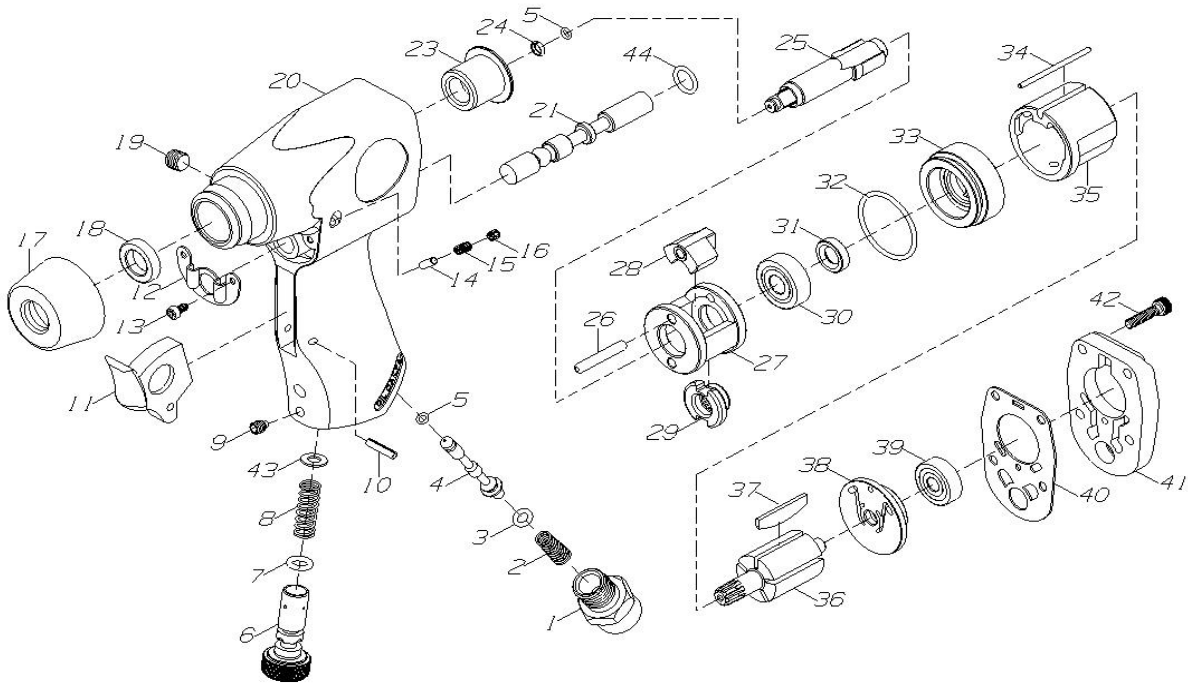


PT-1265



Version: 2009.07.09

EXP-1 [DWG] WORK

Index No.	Part No.	Description	No. Req'd
1	101443	Inlet Bushing	1
2	116002	Spring	1
3	O-0440-180	O-Ring	1
4	126504	Valve	1
5	O-0300-100	O-Ring	2
6	126506	Regulator	1
7	O-0600-200	O-Ring	1
8	126508	Spring	1
9	126509	Screw	1
10	P-0030-140	Pin	1
11	106506	Trigger	1
12	126512	Deflector	1
13	116103	Screw	2
14	126236	Rev.Valve Pin	1
15	126515	Spring	1
16	116507	Screw	1
17	126517	Shield	1
18	126518	House Seal	1
19	116020	Screw	1
20	126520	Motor Housing	1
21	126521	Rev. Valve	1
23	126523	Bushing	1

Index No.	Part No.	Description	No. Req'd
24	126524	Retainer	1
25	126525	Anvil	1
26	126526	Hammer Pin	2
27	126527	Hammer Frame	1
28	126528	Dog	2
29	126529	Hammer Cam	1
30	0608-ZZ0A	Ball Bearing	1
31	126531	Oil Seal	1
32	O-2670-178	O-Ring	1
33	126533	Front Plate	1
34	126534	Motor Pin	1
35	126535	Cylinder	1
36	126536	Rotor	1
37	103418	Rotor Blade	5
38	126538	Rear Plate	1
39	0626-ZZ0A	Ball Bearing	1
40	126540	Gasket	1
41	126541	Motor Cover	1
41P	O-0890-160	O-Ring	1
42	116155	Screw	4
43	126520A	Washer	1
44	O-0560-160	O-Ring	1