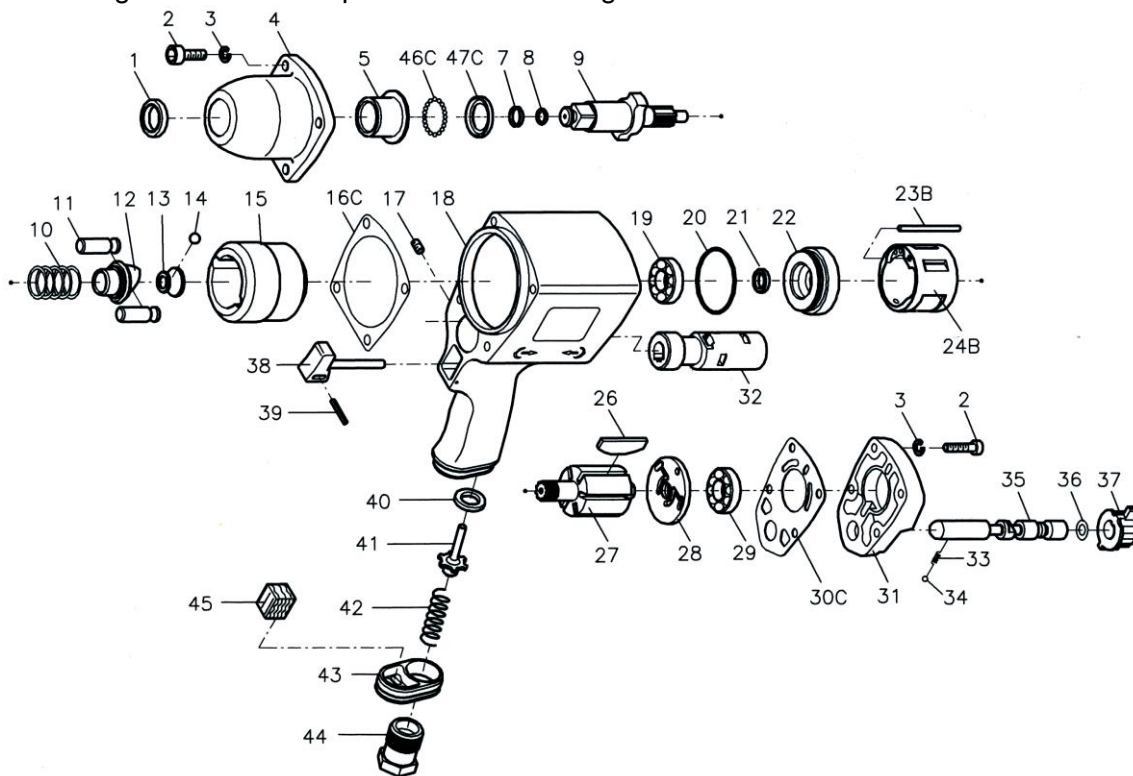


3/8" Slagmoersleutel - Impact wrench - Schlagschrauber - Boulonneuse



ITEM NO.	DESCRIPTION
1	OIL SEAL
2	CAP SCREW (8)
3	SPRING WASHER (8)
4	HAMMER CASE
5	BUSHING
7	ANVIL COLLAR
8	O-RING
9	3/8" ANVIL
10	SPRING
11	HAMMER PIN (2)
12	CAM
13	CAM FOUNDATION
14	STEEL BALL
15	HAMMER CAGE
16	FRONT GASKET
17	SET SCREW
18	HOUSING (incl.no.32)
19	BALL BEARING
20	O-RING
21	OIL SEAL
22	FRONT END PLATE
23B	PIN
24B	CYLINDER

ITEM NO.	DESCRIPTION
26	ROTOR BLADE (6)
27	ROTOR
28	REAR END PLATE
29	BALL BEARING
30	GASKET
31	REAR COVER
32	VALVE SLEEVE
33	SPRING
34	STEEL BALL
35	REVERSE VALVE
36	O-RING
37	REGULATOR KNOB
38	TRIGGER
39	SPRING PIN
40	BUSHING
41	VALVE STEM
42	SPRING
43	EXHAUST DEFLECTOR
44	AIR INLET
45	MUFFLER
46C	STEEL BAL (20)
47C	WASHER

